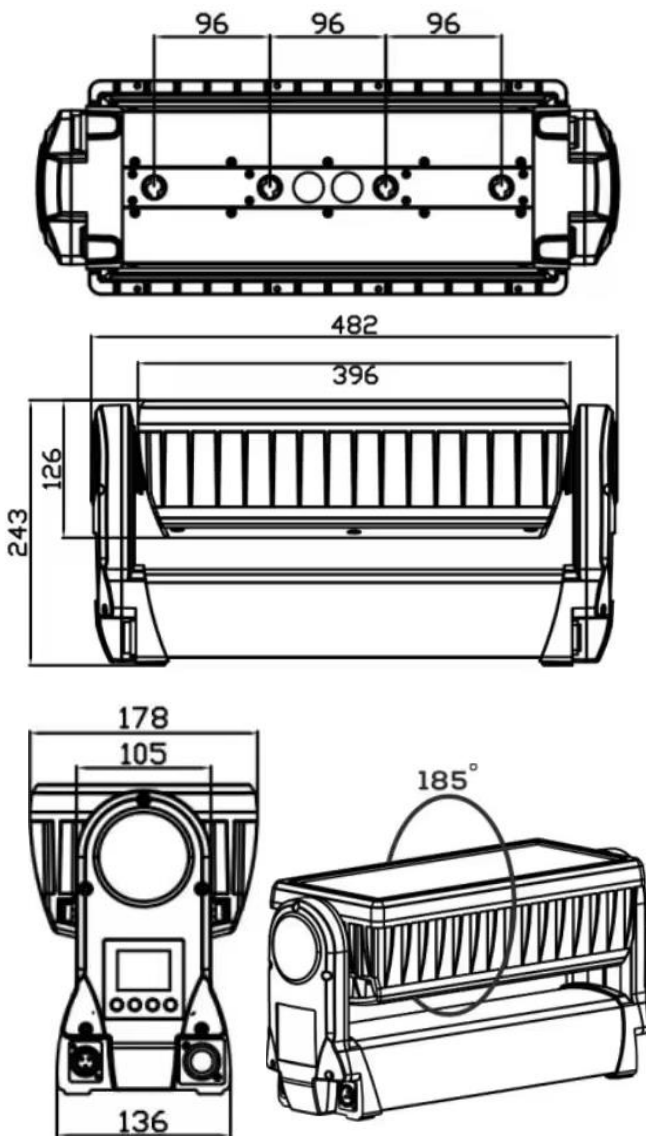


# COMET SIP

## OUTDOOR LED STROBE MOVING WASH



|          |                                |
|----------|--------------------------------|
| 電源       | 110-240v / 50-60hz             |
| 最大消費電力   | 850w                           |
| 電源コネクタ   | 平行G付-PowerCon in/out           |
| DMXコネクタ  | XLR-5PIN                       |
| mode     | DMX512、MasterSlave、StandAlone  |
| DMXチャンネル | 7ch / 14ch / 42ch              |
| 可動範囲     | Tilt : 185°                    |
| ビーム      | 120                            |
| 色温度(K)   | 2700-5600                      |
| 光源       | panel : 480x0.5w RGB 3in1 leds |
|          | tube : 144x5w 6500K White leds |
| 耐温度      | -15°C / 60°C                   |
| IP       | 65                             |
| 灯体サイズ    | 482×178×H243mm / 10kg          |
| ケースサイズ   | 4灯ハード : 960×530×H460mm (外寸)    |
|          | 1灯ダンプラ : 640×210×H290mm (内寸)   |
| 同梱品      | ハンガー×1、電源ケーブル(2m)、ワイヤー         |

## DMX channel List

| Mode |      |      | Function            |
|------|------|------|---------------------|
| 7ch  | 14ch | 42ch |                     |
| 1    | 1    | 1    | Tilt                |
|      | 2    | 2    | Tilt Fine           |
| 2    | 3    | 3    | Beam Dimmer         |
| 3    | 4    | 4    | Beam Strobe Mode    |
|      | 5    | 5    | Reserved            |
|      | 6    | 6    | Beam Macro          |
| 4    | 7    | 7    | Plate Red           |
| 5    | 8    | 8    | Plate Green         |
| 6    | 9    | 9    | Plate Blue          |
| 7    | 10   | 10   | Plate Strobe        |
|      | 11   | 11   | Plate Macro         |
|      | 12   | 12   | Plate Macro Color   |
|      | 13   | 13   | Plate Macro Speed   |
|      | 14   | 14   | Plate Total Dimmer  |
|      |      | 15   | Beam Pixel 1        |
|      |      | 16   | Beam Pixel 2        |
|      |      | 17   | Beam Pixel 3        |
|      |      | 18   | Beam Pixel 4        |
|      |      | 19   | Plate Pixel 1 Red   |
|      |      | 20   | Plate Pixel 1 Green |
|      |      | 21   | Plate Pixel 1 Blue  |
|      |      | ***  | ***                 |
|      |      | 40   | Plate Pixel 8 Red   |
|      |      | 41   | Plate Pixel 8 Green |
|      |      | 42   | Plate Pixel 8 Blue  |
|      |      |      | Tilt Speed          |
|      |      |      | Dimmer Speed        |