



®

# OWNER'S GUIDE

CE

READ AND SAVE THESE INSTRUCTIONS

BUILT BY  
MOONLIGHT ILLUMINATION  
MADE IN TAIWAN

*Dyer*

INT-532

EFFECT LIGHTING



INT-532

Thank you for purchasing a "EMO" "DYER" effect lighting.

To optimize the performance of this products, to read these operating instructions carefully and become familiar with the operating procedures.

**CAUTION**  
RISK OF ELECTRIC SHOCK  
DO NOT OPEN

**CAUTION :** TO REDUCE THE RISK OF ELECTRIC SHOCK,  
DO NOT REMOVE COVER. NO USER-SERVICEABLE PARTS INSIDE.  
REFER SERVICING TO QUALIFIED SERVICE PERSONNEL.

## SAFETY PRECAUTIONS

### WARNING :

- TO REDUCE THE RISK OF FIRE OR ELECTRIC SHOCK, DO NOT EXPOSE THIS LIGHT TO RAIN OR MOISTURE.

### PRECAUTIONS :

- Make sure the AC voltage matches your local voltage.
- Do not force to pull out the power cord when unplug the power supply, hold the plug itself then pull it out. Never pull the cord.
- Keep all inflammable materials away from the lighting fixture as far as possible. (Min. 2 Feet or 0.6 Meter)
- Never look at the lighting source directly.
- Turn the switch off and unplug the power supply before replacement the lamp.
- To clean the lenses, please use a soft cloth lightly moistened with mild detergent. Do not use stron solvents such as alcohol,benzine or thinner.
- When any trouble occurs, unplug the power supply and contact with our qualified technician.

### SPECIFICATIONS

|                            |  |
|----------------------------|--|
| POWER SOURCE :             | AC 115V/230V ,60HZ/50HZ                    |
| POWER CONSUMPTION :        | Max. 170 W.                                |
| FUSE :                     | D 5mm. x L20mm. 2 A./1A.                   |
| DIMENSIONS ( L x W x H ) : | 23.5 x 17 x 12 cm. ( 9.3 x 6.7 x 4.7 in. ) |
| WEIGHT :                   | 4 KGS. ( 8.8 LBS. )                        |
| FITTING LAMPS :            | EFR ,A1/232.MR16,15V.150W.                 |
| ● Packed Dimension(LXWXH.) | 35 x 27 x 21 cm. ( 13.8 x 10.6 x 8.2in. )  |
| ● Packed Weight / Volume : | 4.5 KGS. ( 9.9 LBS. ) / 0.7 CFT.           |
| ● Standard Package :       | 1 PCS/ CTN.                                |

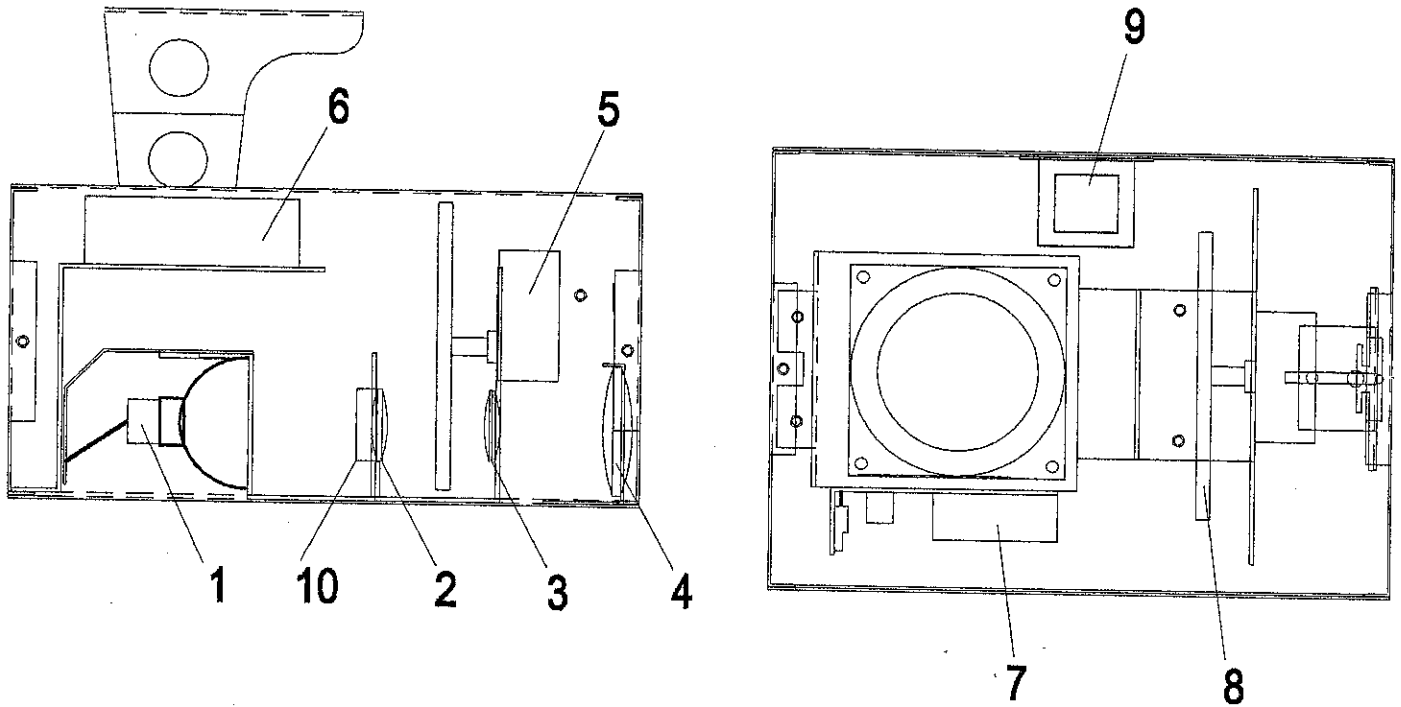
### INCLUDED

|                 |     |
|-----------------|-----|
| ● OWNER'S GUIDE | X 1 |
| ○ C CLAMP       | X 1 |
| ○ SAFETY CABLE  | X 1 |
| ○ EFR 150W.LAMP | X 1 |

### LAMPS DATA

| Lamp reference | Wattage | Voltage | Color temp. | Diameter | Life | Base   | TYPE | COD. NO. |
|----------------|---------|---------|-------------|----------|------|--------|------|----------|
| EFR , A1/232.  | 150 W.  | 15V     | 3400K       | 50mm.    | 50h  | GZ6.35 | MR16 | BU-2023  |

- Lamp output power : When input 115 +/- 5% VAC, lamp output 12.7~14.1VAC, 117~138W. Lamp life 300~500 hours.
- Lamp output power : When input 230 +/- 5% VAC, lamp output 12.7~14.1VAC, 117~138W. Lamp life 300~500 hours.



| NO. | NAME                 | MATERIAL NO. |
|-----|----------------------|--------------|
| 1   | SOCKET GZ6.35        | EP-6F        |
| 2   | LENSE1               | LS-88        |
| 3   | LENSE2               | LS-88        |
| 4   | LENSE3               | LS-47        |
| 5   | AC MOTOR             | EP-29        |
| 6   | COOL FAN             | EP-106C      |
| 7   | 15V,150W.TRANSFORMER | AS-215N      |
| 8   | LESEN4               | AS-217H      |
| 9   | TRANSFORMER          | EP-137       |
| 10  | LESEN5               | LS-67        |

AGENT

The contents of this manual are subject to change without notice.