



®

# OWNER'S GUIDE

CE

READ AND SAVE THESE INSTRUCTIONS

BUILT BY  
MOONLIGHT ILLUMINATION  
MADE IN TAIWAN

*Dyer*

INT-532

EFFECT LIGHTING



INT-532

Thank you for purchasing a "EMO" "DYER" effect lighting.

To optimize the performance of this products, to read these operating instructions carefully and become familiar with the operating procedures.



CAUTION  
RISK OF ELECTRIC SHOCK  
DO NOT OPEN



CAUTION : TO REDUCE THE RISK OF ELECTRIC SHOCK,  
DO NOT REMOVE COVER. NO USER-SERVICEABLE PARTS INSIDE.  
REFER SERVICING TO QUALIFIED SERVICE PERSONNEL.

## SAFETY PRECAUTIONS

### WARNING :

- TO REDUCE THE RISK OF FIRE OR ELECTRIC SHOCK, DO NOT EXPOSE THIS LIGHT TO RAIN OR MOISTURE.

### PRECAUTIONS :

- Make sure the AC voltage matches your local voltage.
- Do not force to pull out the power cord when unplug the power supply, hold the plug itself then pull it out. Never pull the cord.
- Keep all inflammable materials away from the lighting fixture as far as possible. (Min. 2 Feet or 0.6 Meter)
- Never look at the lighting source directly.
- Turn the switch off and unplug the power supply before replacement the lamp.
- To clean the lenses, please use a soft cloth lightly moistened with mild detergent. Do not use stron solvents such as alcohol,benzine or thinner.
- When any trouble occurs, unplug the power supply and contact with our qualified technician.

### SPECIFICATIONS

POWER SOURCE :	AC 115V/230V ,60HZ/50HZ
POWER CONSUMPTION :	Max. 170 W.
FUSE :	D 5mm. x L20mm. 2 A./1A.
DIMENSIONS ( L x W x H ) :	23.5 x 17 x 12 cm. ( 9.3 x 6.7 x 4.7 in. )
WEIGHT :	4 KGS. ( 8.8 LBS. )
FITTING LAMPS :	EFR ,A1/232.MR16,15V.150W.
● Packed Dimension(LXWXH.)	35 x 27 x 21 cm. ( 13.8 x 10.6 x 8.2in. )
● Packed Weight / Volume :	4.5 KGS. ( 9.9 LBS. ) / 0.7 CFT.
● Standard Package :	1 PCS/ CTN.

### INCLUDED

● OWNER'S GUIDE	X 1
○ C CLAMP	X 1
○ SAFETY CABLE	X 1
○ EFR 150W.LAMP	X 1

### LAMPS DATA

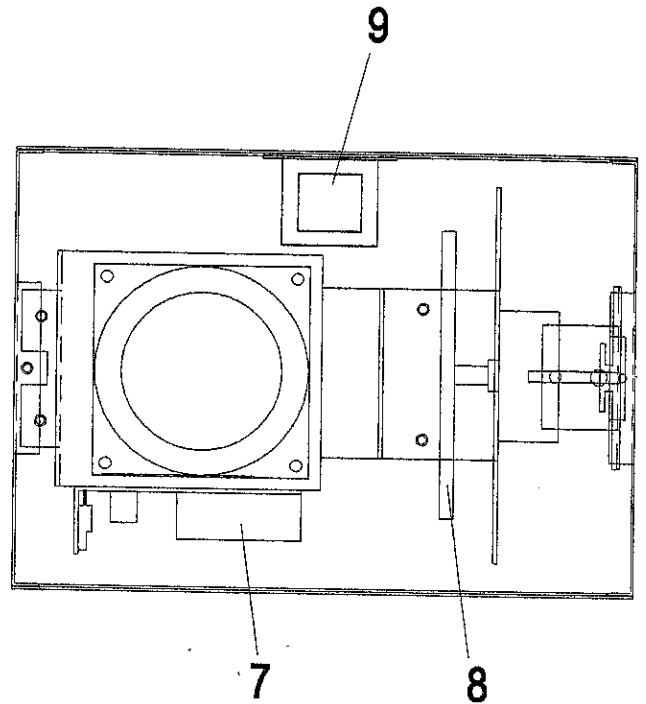
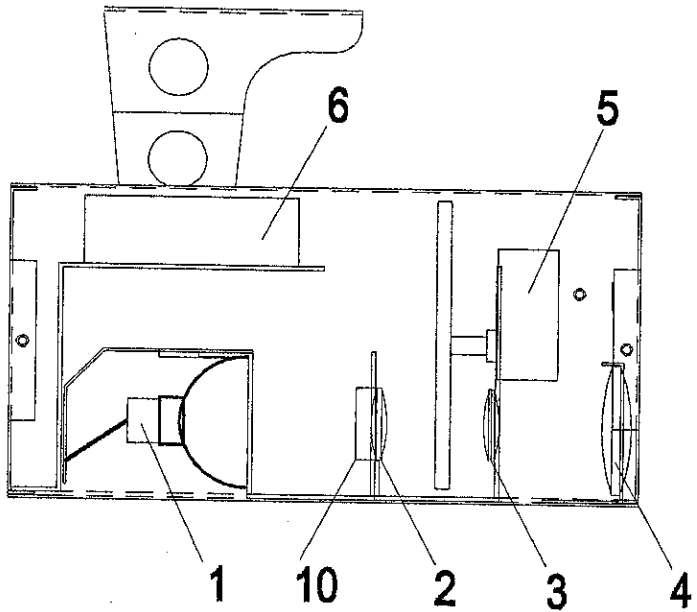
Lamp reference	Wattage	Voltage	Color temp.	Diameter	Life	Base	TYPE	COD. NO.
EFR , A1/232.	150 W.	15V	3400K	50mm.	50h	GZ6.35	MR16	BU-2023

- Lamp output power : When input 115 +/- 5% VAC, lamp output 12.7~14.1VAC, 117~138W. Lamp life 300~500 hours.
- Lamp output power : When input 230 +/- 5% VAC, lamp output 12.7~14.1VAC, 117~138W. Lamp life 300~500 hours.



# PARTS LIST & VIEW

INT-532



NO.	NAME	MATERIAL NO.
1	SOCKET GZ6.35	EP-6F
2	LENSE1	LS-88
3	LENSE2	LS-88
4	LENSE3	LS-47
5	AC MOTOR	EP-29
6	COOL FAN	EP-106C
7	15V,150W.TRANSFORMER	AS-215N
8	LESEN4	AS-217H
9	TRANSFORMER	EP-137
10	LESEN5	LS-67

AGENT

The contents of this manual are subject to change without notice.